

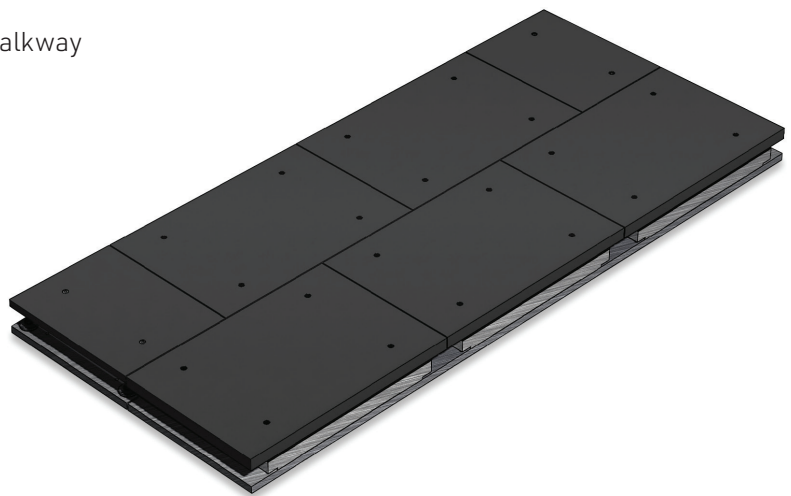


Bertec[®] Fixed Walkway

The Bertec Fixed Walkway allows researchers to mount Bertec's fixed force plates in a customizable in-series configuration for various biomechanics applications. The Walkway gives users the ability to independently reconfigure their force plates depending on their experimental needs while maintaining the accuracy and quality of their data. Researchers also gain the option to add more force plates to their walkway over time to easily increase their data collection capacity.

Configurable Walkway Design

- Choose the number of force plates for your walkway
- Application-specific configurations
- Independent reconfiguration eliminates future installation cost
- Available for 2 Bertec Fixed Force Plate sizes (40x60 cm and 60x90 cm)
- Patented strain gauge technology
- Capable of up to 4000 lb load capacity
- High natural frequency
- 1000 Hz sampling rate

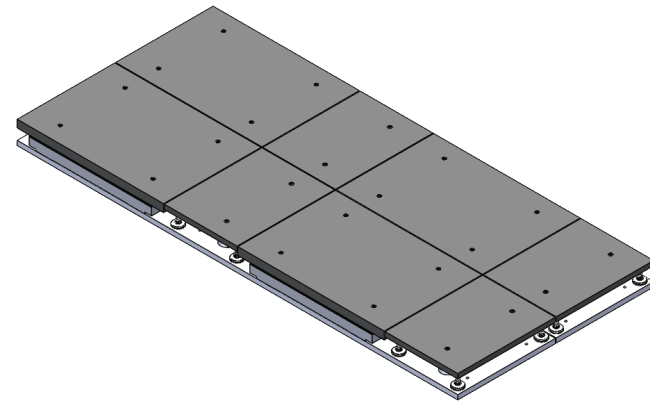


4060 Fixed Walkway

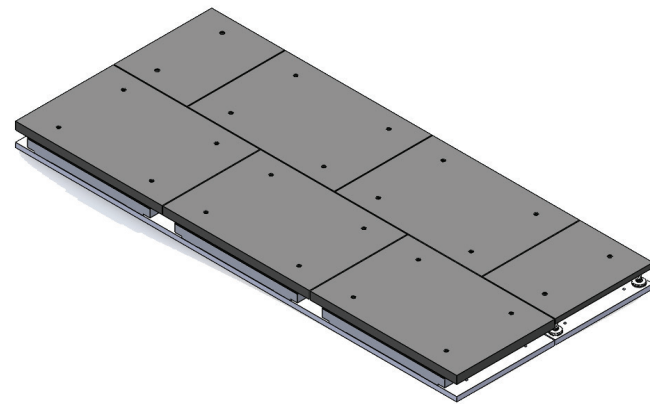
2x3 grid (2-6 40x60 cm Fixed Force Plates)

Total walkway dimensions: 80x180 cm

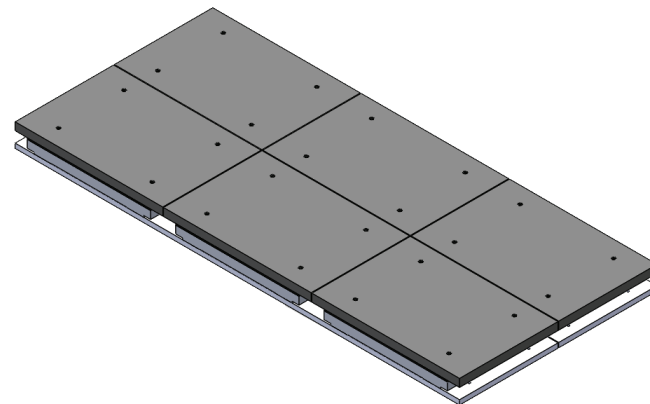
4 plates



5 plates



6 plates

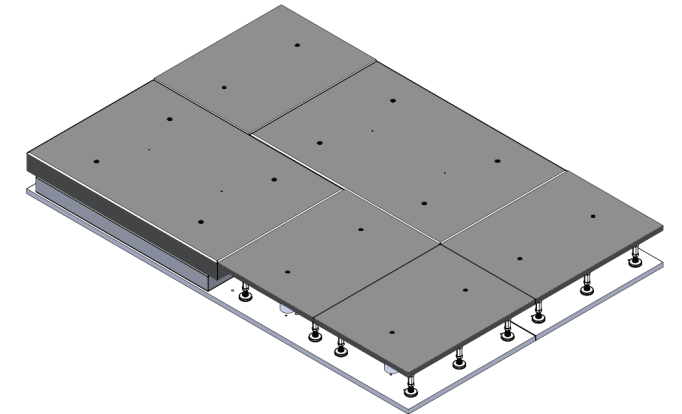


6090 Fixed Walkway

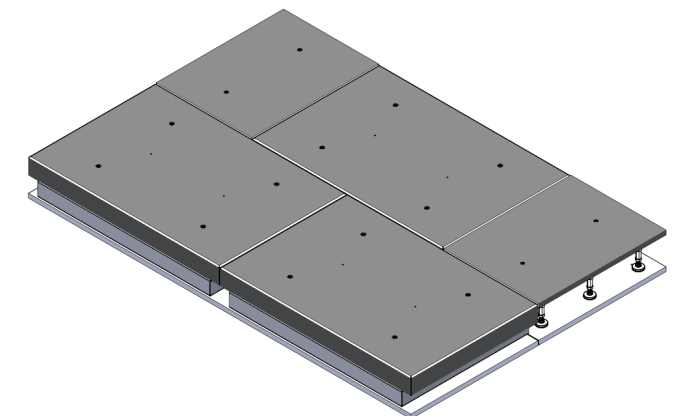
2x2 grid (2-4 60x90 cm Fixed Force Plates)

Total walkway dimensions: 120x180 cm

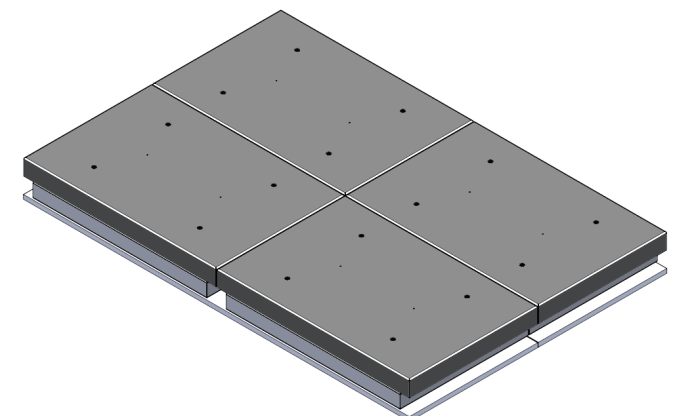
2 plates



3 plates



4 plates



Package Includes:

- Chosen amount of force plates
- Appropriate number of half-sized filler plates (see table)
- 2x 180 cm-long mounting plates
- Guide for repositioning force plates



# of Force Plates	# of Filler Plates
40x60 cm	40x30 cm
2	8
3	6
4	4
5	2
6	0
60x90 cm	60x45 cm
2	4
3	2
4	0

Upgrade Path:

- Add additional force plates to fill in the grid
- Add another Walkway set to increase length

For more information, contact Bertec at +1 614-543-8099 or by email at info@bertec.com