

Analog and Digital Amplifier AM6800

Product Details and Specifications

Bertec Corporation's amplifiers are designed for use with our line of force plates and force transducers. Their solid construction will handle the rigors of any application as our products are used internationally in research, clinical, and industrial facilities. The AM6800 amplifier has a digital input and provides a dual output with adjustable gain to offer the greatest flexibility.



Design

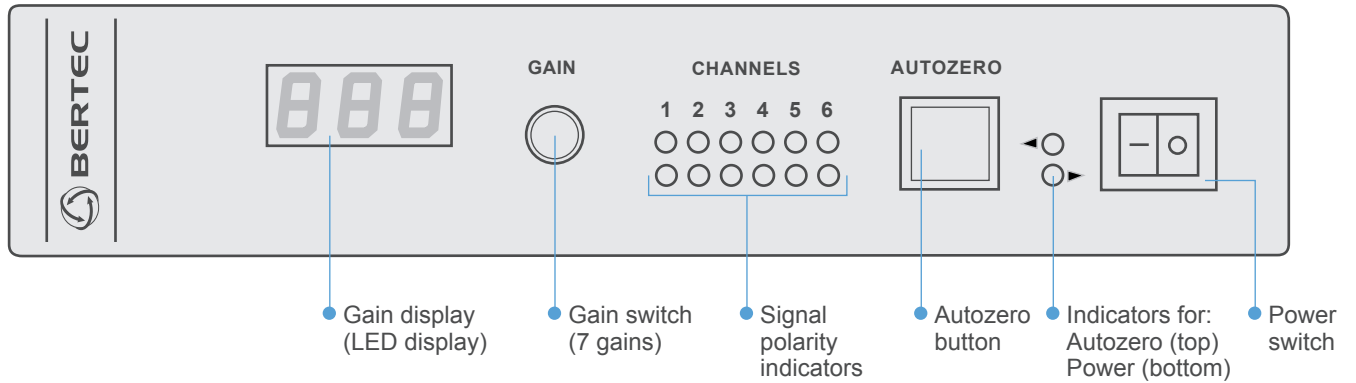
The AM6800 amplifier incorporates both analog and digital outputs in one unit. The gain of the analog output is user selectable, and has seven different settings (1, 2, 5, 10, 20, 50, 100). A single gain selection switch is provided for all 6 output channels. A three digit LED display on the front panel shows the current gain setting. The channel signal indicators show the polarity of the analog output for the six force plate channels. The digital input is a female 9-pin D-Sub connector: the analog output is a female 15-pin D-Sub connector. The digital output is a USB signal. The auto zero button is utilized to remove tare load offset for each channel output. The main power input is a universal input with the range 90-250V, 50-60Hz.

Note: The analog outputs provide calibrated full-scale outputs per rated load range of each channel of the attached transducer. For example: If the transducer has a $\pm 1000\text{N}$ load range in the Fz channel, the -5.00V output on the Fz will correspond to a -1000N load and $+5.00\text{V}$ corresponds to $+1000\text{N}$.

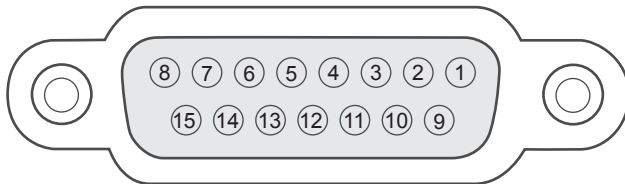
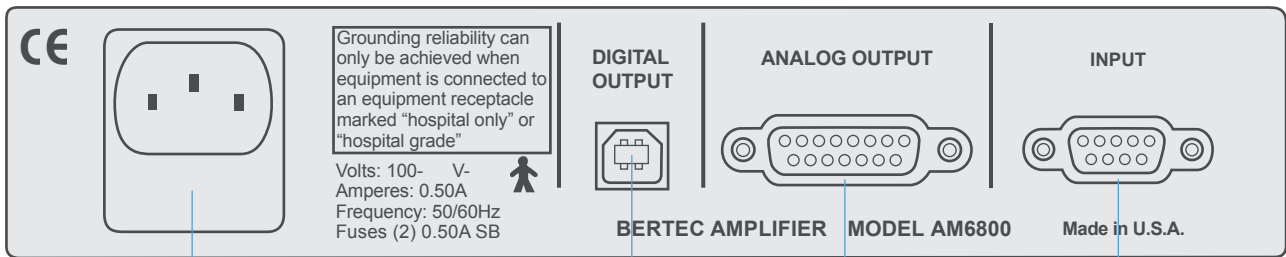
Unique Features

> Crosstalk-free calibrated outputs	> 6 channels of ± 5 full-scale analog output	> 500Hz bandwidth (standard)
> End-to-end group delay is limited only by bandwidth	> 30ppm accurate digital gain ratios	> 50ppm accurate analog output autozero
> One gain selection switch for all 6 output channels	> Mains powers 90-250V, 50-60Hz	> Digital output via USB parallels the analog output

Front Panel



Back Panel



- CH1 : Pin 3
- CH2 : Pin 4
- CH3 : Pin 5
- CH4 : Pin 6
- CH5 : Pin 7
- CH6 : Pin 8
- Auto zero: Pin 9
- GRND : Pin 10



Bertec Corporation
 6171 Huntley Road, Suite J
 Columbus, OH 43229 U.S.A.

t + 1 614 543-8099
 f + 1 614 430-5425
 www.bertecbalance.com